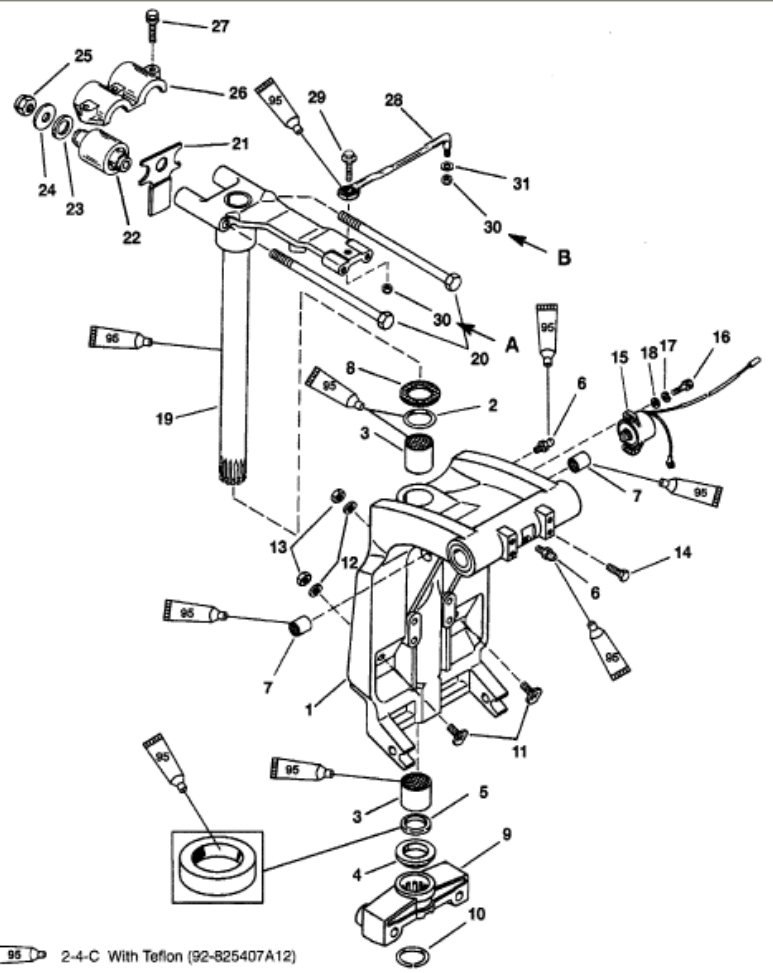


Parts List



2-4-C With Teflon (92-825407A12)

A – Torque nut to 20 lb. ft. (27.0 N-m)
B – Torque nut until it seats [DO NOT exceed 120 lb. in. (13.5 N-m) of torque], then back off 1/4 turn.

Ref	Class	Part	Description	Qty	Comment	Footnote
1	1499	8710A20	SWIVEL BRACKET	1	BLACK	
1	1499	8710A21	SWIVEL BRACKET	1	GRAY	
1	1499	8710A23	SWIVEL BRACKET	1	WHITE	
2	25	33504	O RING	1		
3	23	818764	BUSHING	2		
4	23	816039	SPACER	1		
5	26	87735	OIL SEAL (LOWER)	1		
6	22	74036	GREASE FITTING	2		
7	23	821207	BUSHING	2		
8	12	816432	THRUST WASHER	1		
9		814084F 1	BOTTOM YOKE	1	(BLACK)(LONG - CARBON STEEL	
9		814084F 2	BOTTOM YOKE	1	(GRAY)(LONG - CARBON STEEL	
9		826364F 1	BOTTOM YOKE	1	BLACK-XL/XL-STAINLESS STE	
9		826364F 2	BOTTOM YOKE	1	GRAY-XL/XL-STAINLESS STEE	
9		826364F 3	BOTTOM YOKE	1	WHITE-XL/XL-STAINLESS STE	
10	53	67684	RETAINING RING	1		
11		99630 1	STRIKER PLATE	2		
12	13	58643	LOCKWASHER	2		
13	11	46335	NUT	2		
14	10	64014	SCREW (1/4-28)	2		
15		821180A 6	TRIM SENDER	1		
16	10	56682	SCREW (10-24 X 3/4 IN.)	2		
17	13	26996	LOCKWASHER	2		
18	12	89302	WASHER	2		
19	17	67706A55	SWIVEL PIN/STEERING ARM	1	LONG - CARBON STEEL BLACK	
19	17	67706A56	SWIVEL PIN/STEERING ARM	1	LONG - CARBON STEEL GRAY	
19	17	826432A 2	SWIVEL PIN/STEERING ARM	1	BLACK-XL/XL-STAINLESS STE	
19	17	826432A 3	SWIVEL PIN/STEERING ARM	1	GRAY-XL/XL-STAINLESS STEE	
19	17	826432A 6	SWIVEL PIN/STEERING ARM	1	WHITE-XL/XL	
20	10	816386	SCREW (M12 X 1.75 X 190)	2		
21		824998	BUMPER	1		
22		816385 1	UPPER MOUNT	2		
23	12	815437	WASHER	2		
24	12	815436	WASHER	2		
25	11	90099	NUT	2		
26		813769	CLAMP	1		
27	10	818934 35	SCREW (M8 X 35)	3		
28		92876A 1	STEERING LINK ASSEMBLY	1		
29	10	14000	SCREW	1		
30	11	34863	NUT (.375-24)	2		
31	12	27828	WASHER	2		